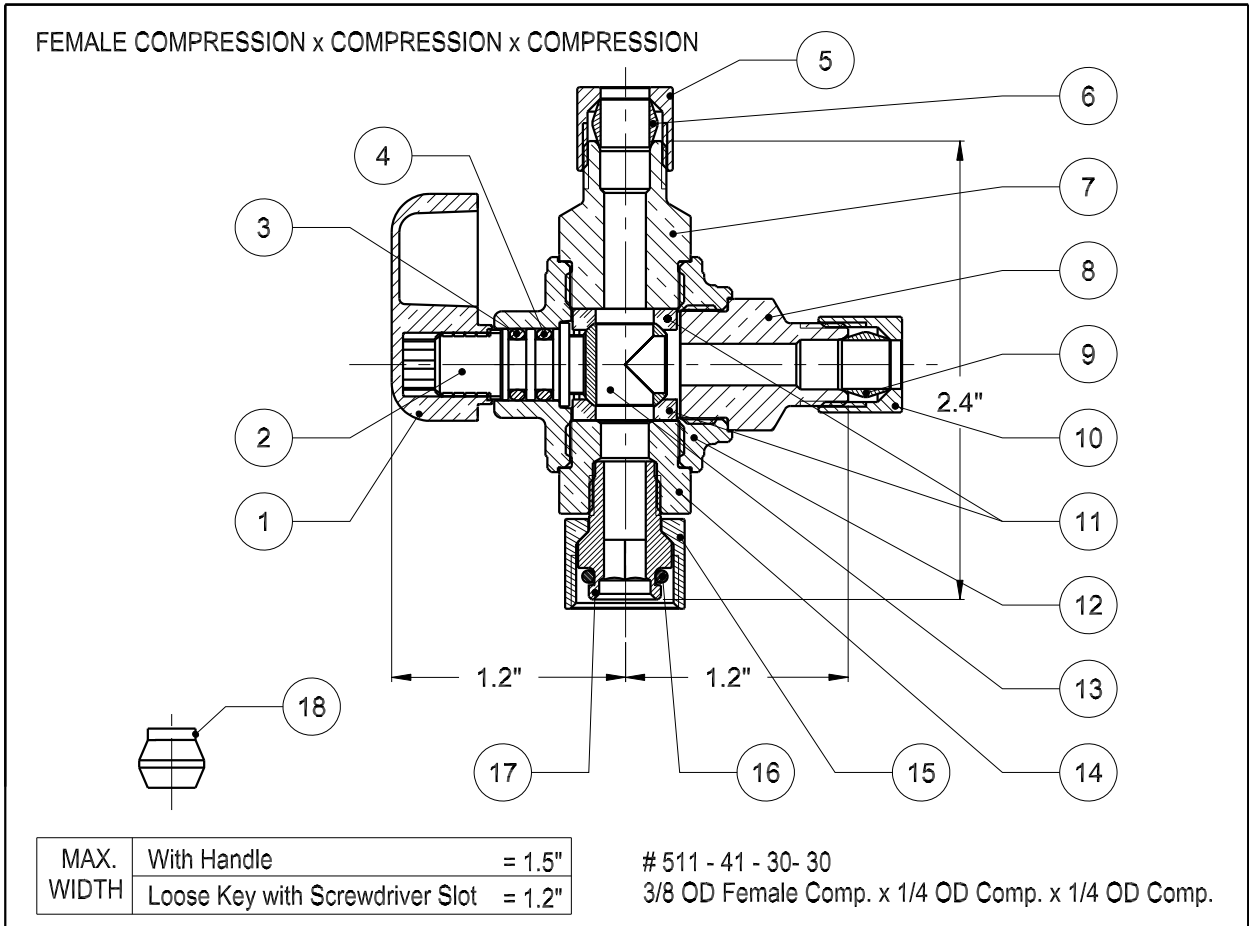


dahl-ECO mini-ball™ Valve

Lead-Free Compliant - Plumbing

TDS - 687
New Jan/16



- | | |
|---|---|
| 1. Handle - Nickel Plated Zinc | 10. Nut - 1/4 OD Compression - Plated Brass |
| 2. Spindle - Nickel Plated Brass | 11. Seals - PTFE |
| 3. O-Ring - EPDM | 12. Body - Chrome Plated Brass |
| 4. O-Ring - Fluorocarbon (FKM) | 13. Ball - Plated Brass |
| 5. Nut - 1/4 OD Compression - Plated Brass | 14. Adapter - Brass |
| 6. Tapered Sleeve - Brass | 15. Nut - Plated Brass |
| 7. End - 1/4 OD Compression - Nickel Plated Brass | 16. O-Ring - EPDM |
| 8. End - 1/4 OD Compression - Nickel Plated Brass | 17. End - 3/8 OD Female Compression - Brass |
| 9. Tapered Sleeve - Brass | 18. Plug - 1/4 OD Compression - Brass |

Working Pressure: 250 psi / 250°F
depending on pipe material.

 , UPC
NSF / ANSI 61-G
NSF / ANSI 372

Designed and Manufactured in
Canada

Also available: Loose Key with Screwdriver Slot operation



dahl brothers canada limited

2600 S. SHERIDAN WAY, MISSISSAUGA, ON, CANADA L5J 2M4
905-822-2330 CAN 800-268-5355 U.S. 800-268-2363
FAX(905) 855-1450, USA AND CANADA 800-226-1801
sales@dahlvalve.com www.dahlvalve.com

We reserve the right to alter prices and/or technical details without notice